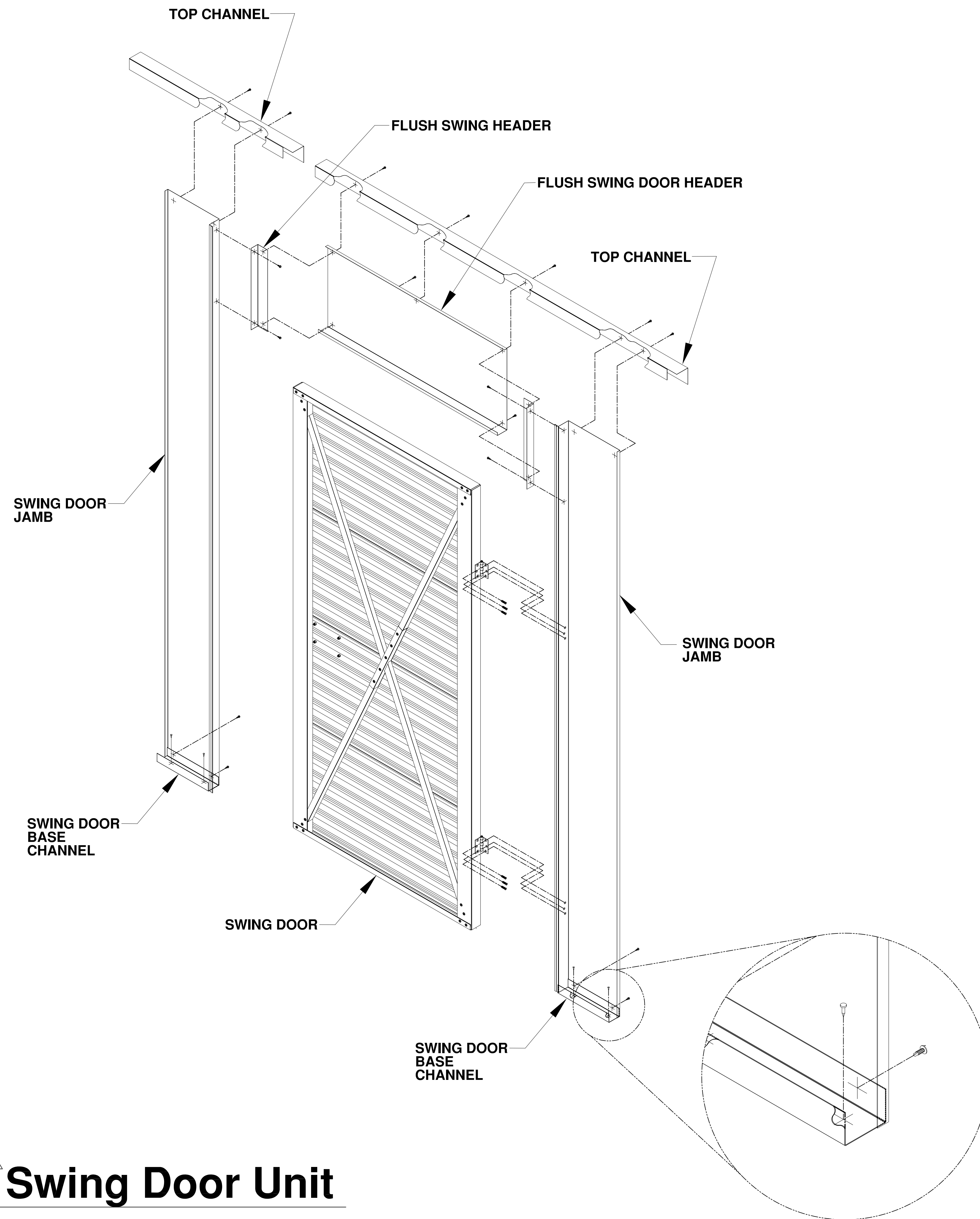
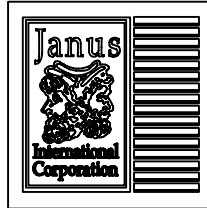



Revisions			
Rev.	Description	Date	APRVD.
0	Released for distribution.	7/15/03	B.B.
1	Revised the enlarged view of unit.	11/12/03	M.H.
2	REVISED, CHANGED DRAWING TITLE.	1/13/04	M.H.



2 **Swing Door Unit**

<b>JANUS INTERNATIONAL CORPORATION</b> 134 East Luke Road Temple, Georgia 30179-4435 Phone (770) 562-2580 Fax (770) 562-2264 Web Address: WWW.JANUSINTL.COM <small>© 2002 Janus International Corporation All Rights Reserved</small>		
TITLE: <b>SWING DOOR Unit Illustration</b>		
DESIGNED: Bert Brown	DATE: July 14, 2003	
DRAWN: Becky Nelson	DATE: July 14, 2003	
CHECKED: Morgan Hodges	DATE: July 15, 2003	
APPROVED: Bert Brown	DATE: July 15, 2003	
SIZE: <b>A</b>	DRAWING NUMBER: <b>-900-005-0004</b>	REV: <b>2</b>
SCALE: <b>1:?</b>	SHEET: <b>1</b>	OF: <b>1</b>