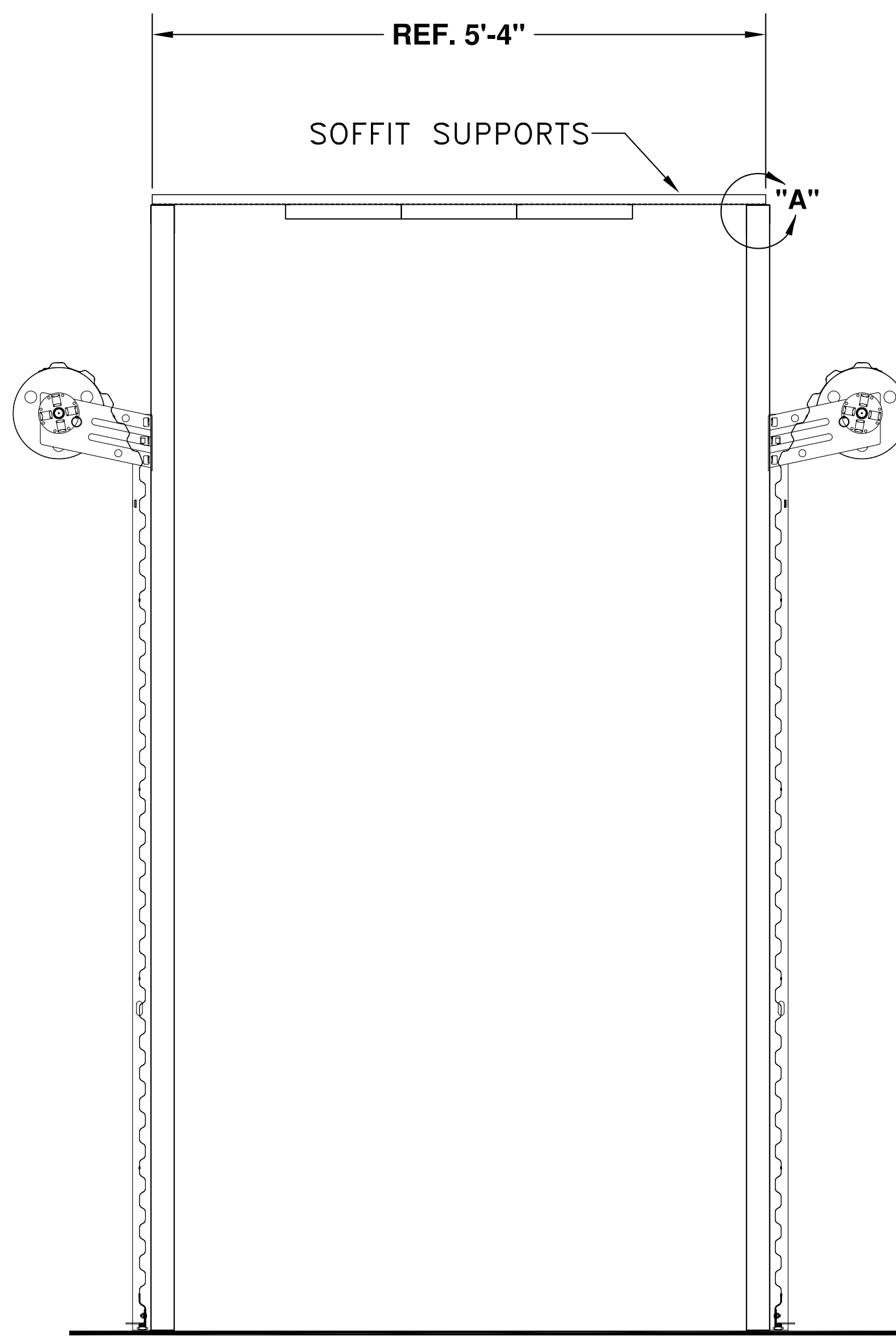


NOTES:

1) THE HALLWAY SOFFIT ACCESSORY WEIGHT, INCLUDING THE LIGHT FIXTURE, MUST NOT EXCEED 22lbs. PER 10' SOFFIT SECTION.

Revisions			
Rev.	Description	Date	APRVD.
0	Released for distribution.	1/22/04	B.B.



TOP OF HALLWAY SYSTEM MOUNTING

**TOP MOUNTED OVER HALLWAY SYSTEM**

<p><b>JANUS INTERNATIONAL CORPORATION</b>          134 East Luke Road          Temple, Georgia 30179-4435          Phone (770) 562-2580 Fax (770) 562-2264          Web Address: WWW.JANUSINTL.COM          © 2002 Janus International Corporation All Rights Reserved</p>			
<p><b>TITLE: TOP MOUNTED OVER HALLWAY SYSTEM ILLUSTRATION</b></p>			
DESIGNED:	Bert Brown	DATE:	Jan 22, 2004
DRAWN:	Becky Nelson	DATE:	Jan 22, 2004
CHECKED:	Morgan Hodges	DATE:	Jan 22, 2004
APPROVED:	Bert Brown	DATE:	Jan 22, 2004
SIZE:	DRAWING NUMBER:		REV:
<b>A</b>	<b>-900-005-0009.01</b>		<b>0</b>
SCALE:	<b>1:?</b>	SHEET:	<b>1</b> OF: <b>1</b>