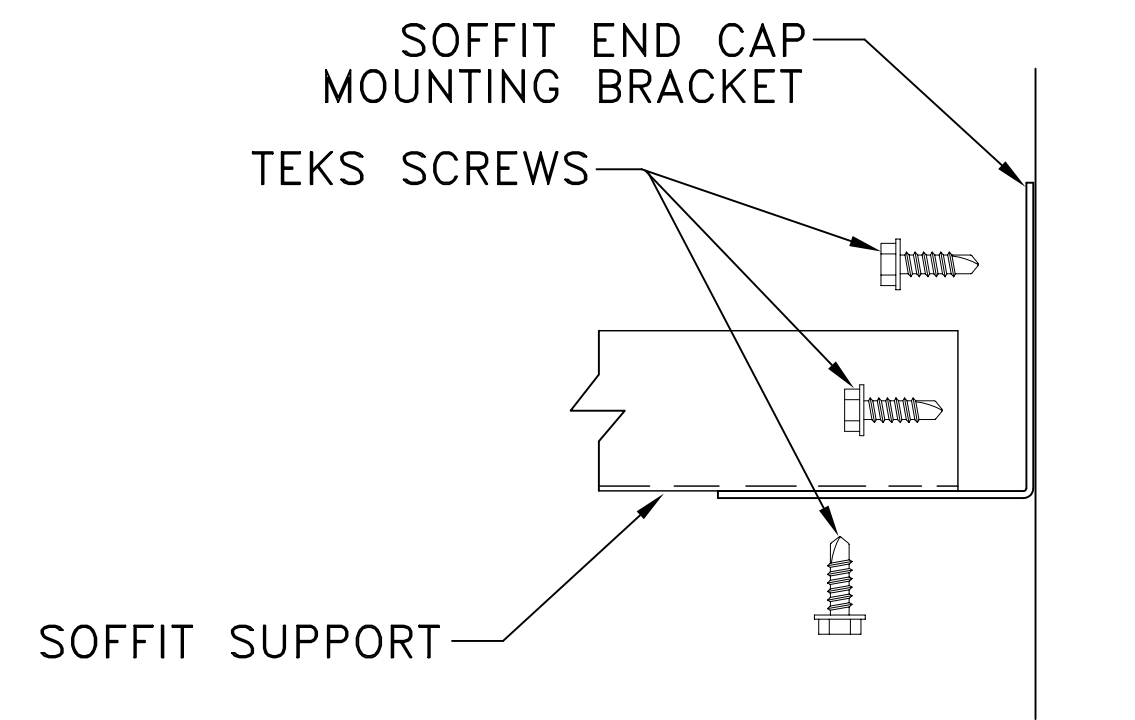
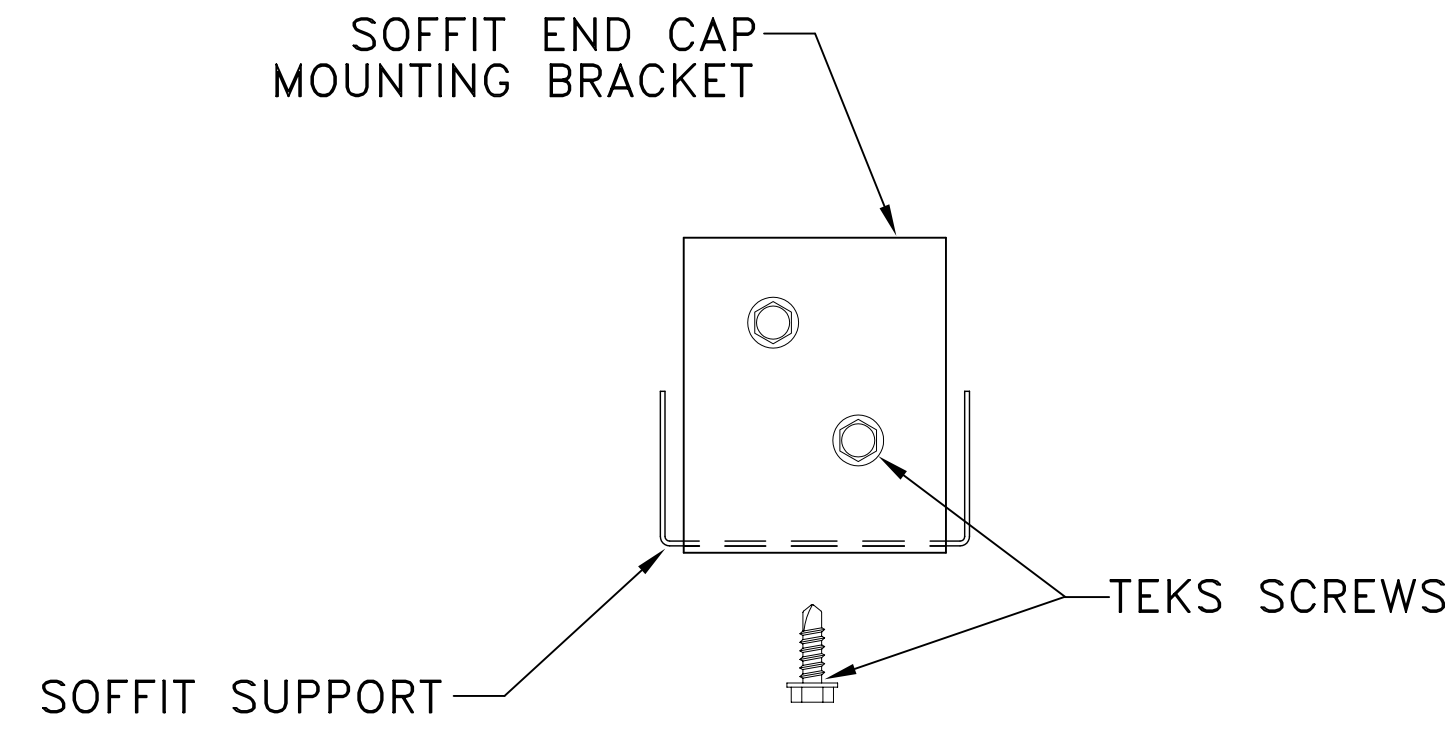


Revisions			
Rev.	Description	Date	APRVD.
0	Released for distribution.	1/22/04	M.H.



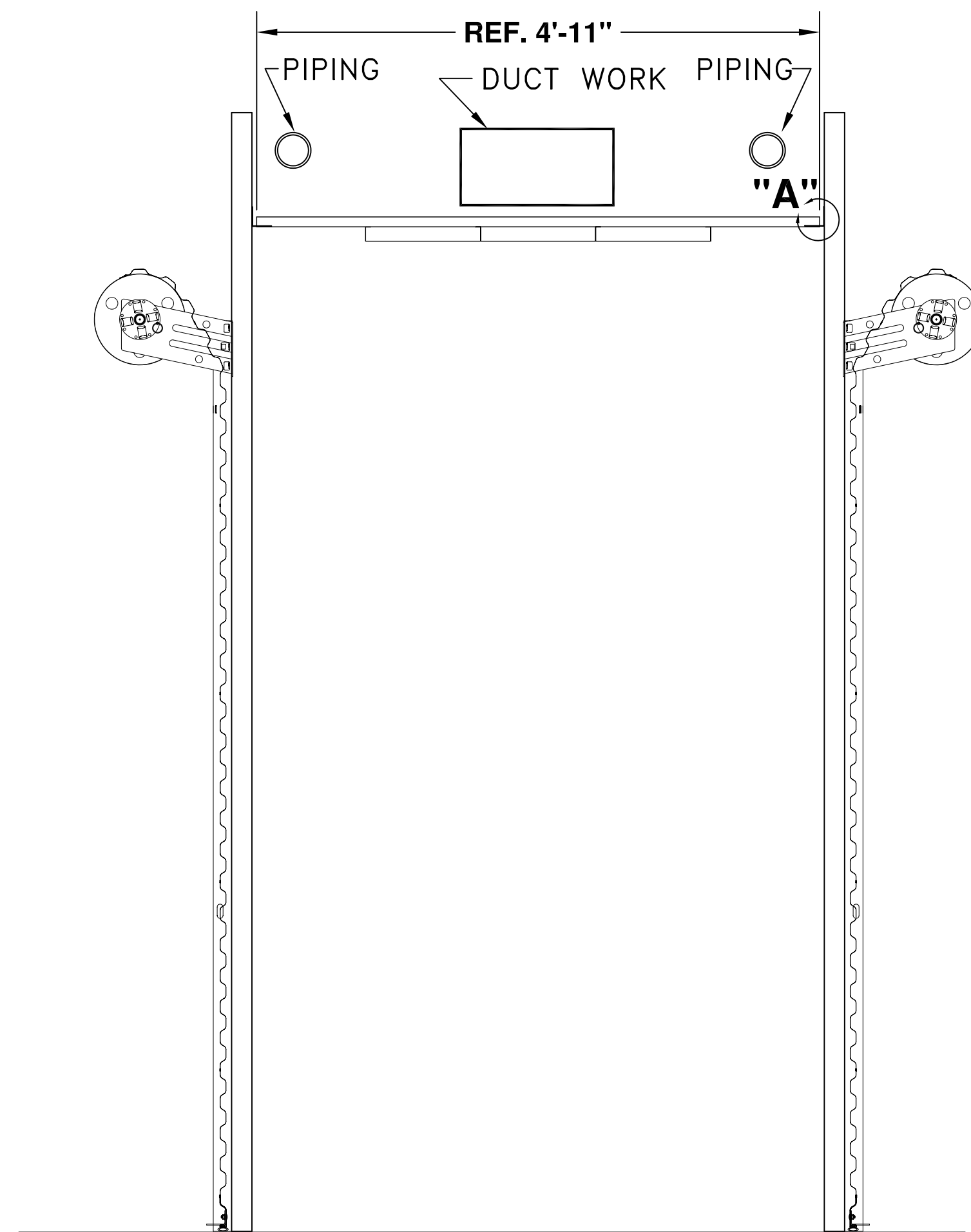
VIEW "A-A"
SCALE: NONE



ROTATED "A-A" VIEW
SCALE: NONE

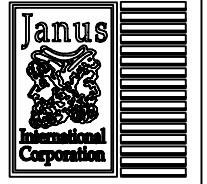
NOTES:

- 1) THE HALLWAY SOFFIT ACCESSORY WEIGHT, INCLUDING THE LIGHT FIXTURE, MUST NOT EXCEED 22lbs. PER 10' SOFFIT SECTION.



RECESSED BETWEEN
HALLWAY SYSTEM
MOUNTING

RECESSED BETWEEN HALLWAY SYSTEM MOUNTING

JANUS INTERNATIONAL CORPORATION 134 East Luke Road Temple, Georgia 30179-4435 Phone (770) 562-2580 Fax (770) 562-2264 Web Address: WWW.JANUSINTL.COM <small>© 2002 Janus International Corporation All Rights Reserved</small>		
TITLE: Recessed Between Hallway System Mounting Illustration		
DESIGNED: Bert Brown	DATE: Jan 22, 2004	
DRAWN: Becky Nelson	DATE: Jan 22, 2004	
CHECKED: Morgan Hodges	DATE: Jan 22, 2004	
APPROVED: Bert Brown	DATE: Jan 22, 2004	
SIZE: A	DRAWING NUMBER: -900-005-0009.02	REV: 0
SCALE: 1:?	SHEET: 2	OF: 4