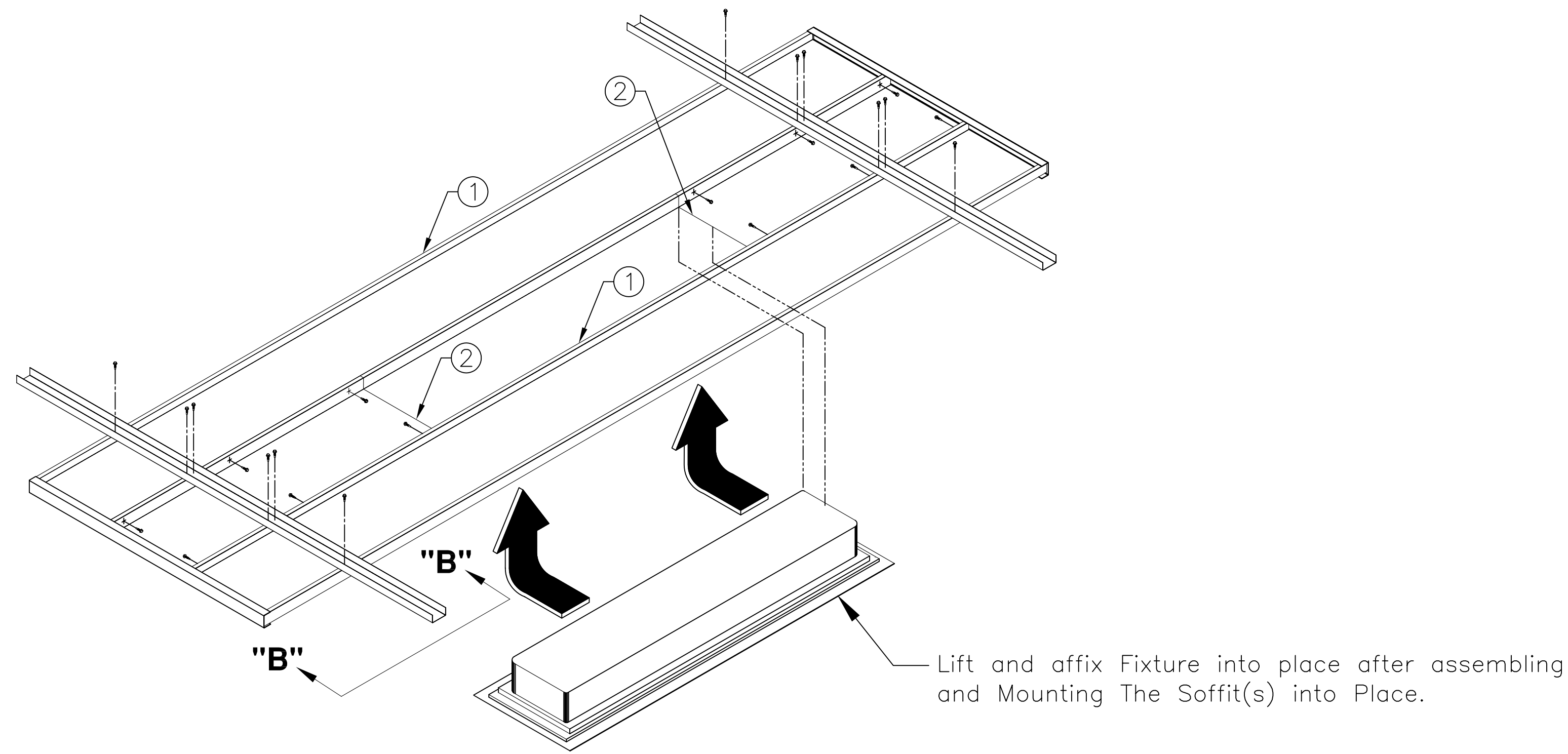
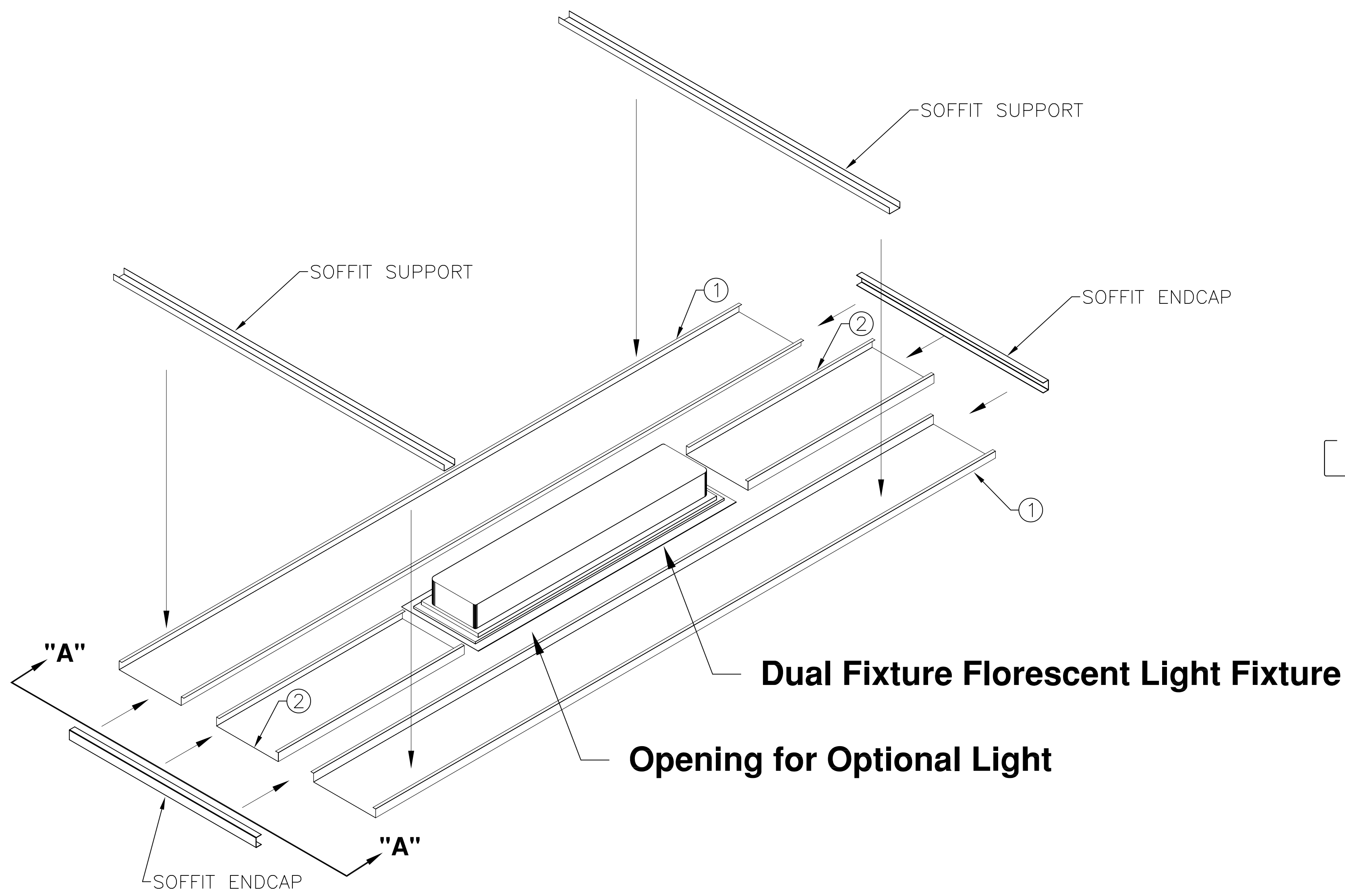
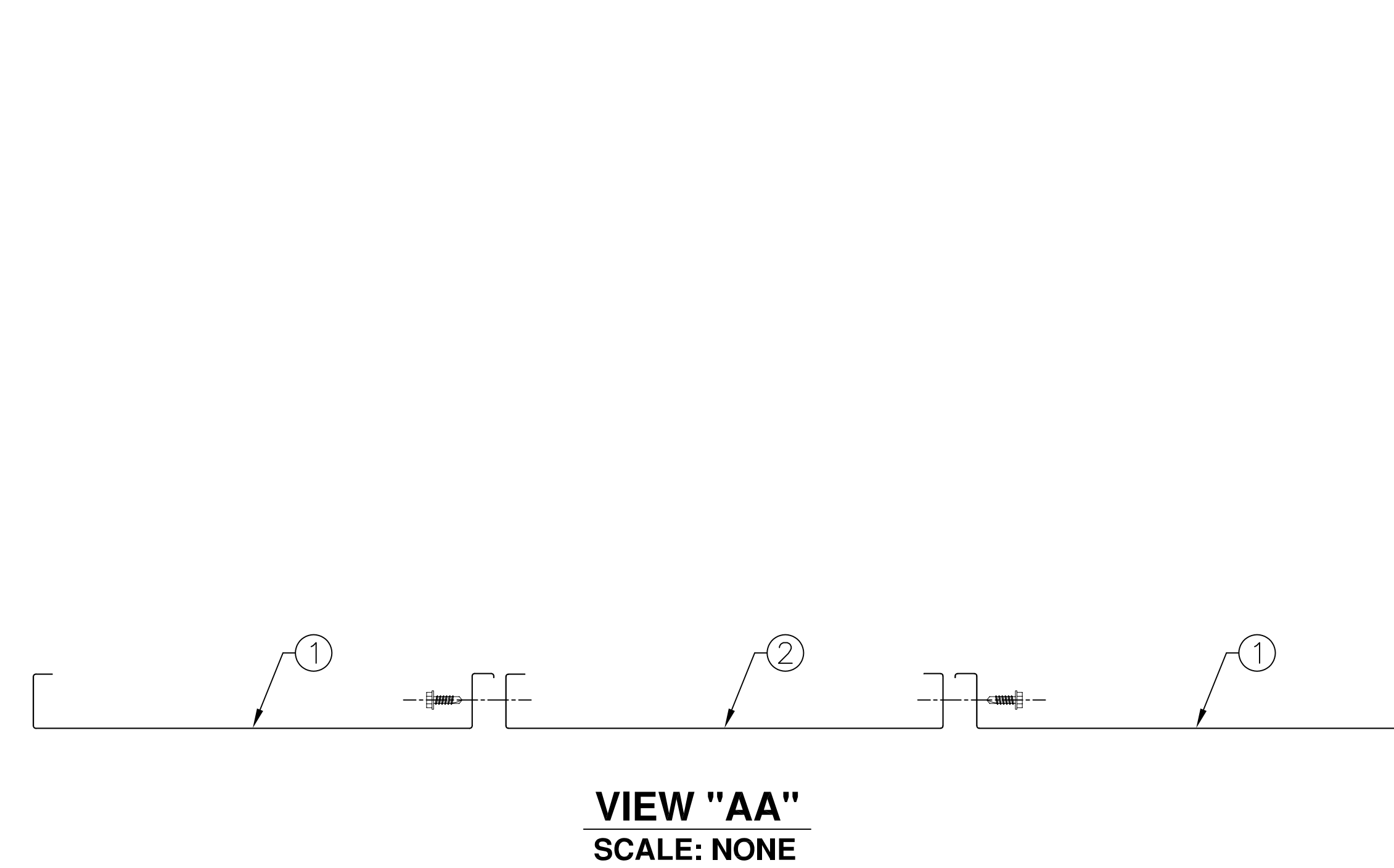
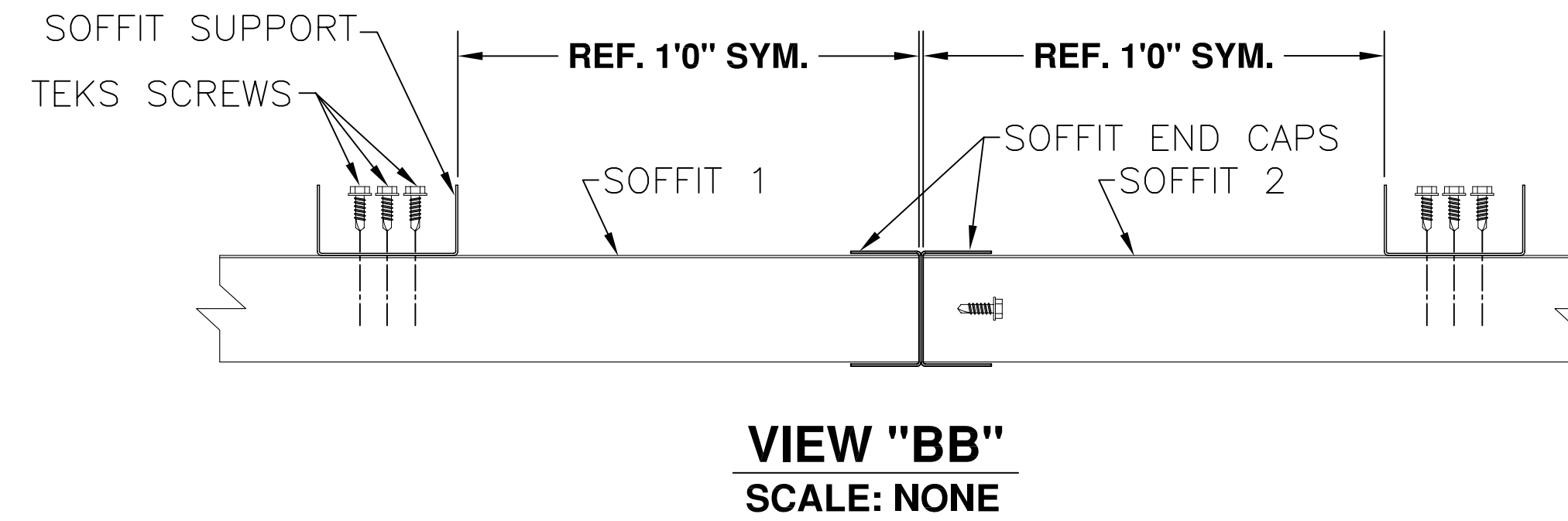


Revisions			
Rev.	Description	Date	APRVD.
0	Released for distribution.	1/22/04	M.H.
1	ADDED END OF SOFFIT VIEW "AA".	2/5/04	P.N.



NOTES:
 1) THE HALLWAY SOFFIT ACCESSORY WEIGHT, INCLUDING THE LIGHT FIXTURE, MUST NOT EXCEED 22lbs. PER 10' SOFFIT SECTION.



Light Soffit Assembly

JANUS INTERNATIONAL CORPORATION 134 East Luke Road Temple, Georgia 30179-4435 Phone (770) 562-2580 Fax (770) 562-2264 Web Address: WWW.JANUSINTL.COM <small>© 2002 Janus International Corporation All Rights Reserved</small>				
TITLE: <h2 align="center">Light Soffit Assembly Illustration</h2>				
DESIGNED: Bert Brown	DATE: JAN 22, 2004			
DRAWN: Jeff Davis	DATE: JAN 22, 2004			
CHECKED: Morgan Hodges	DATE: JAN 22, 2004			
APPROVED: Bert Brown	DATE: JAN 22, 2004			
SIZE:	DRAWING NUMBER:	REV:		
A	-900-005-0009.03	1		
SCALE: 1:?	SHEET: 1	OF: 1		