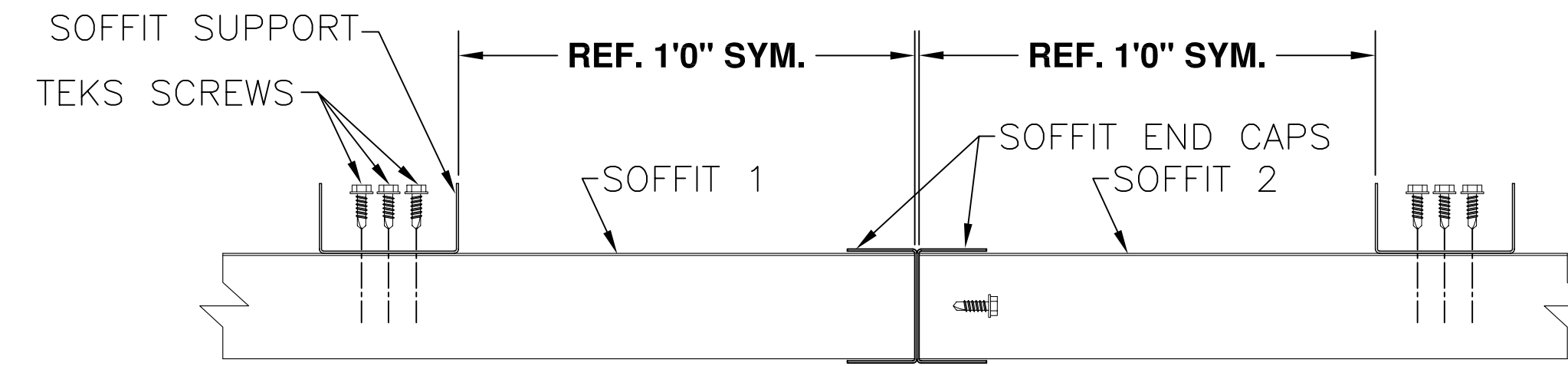
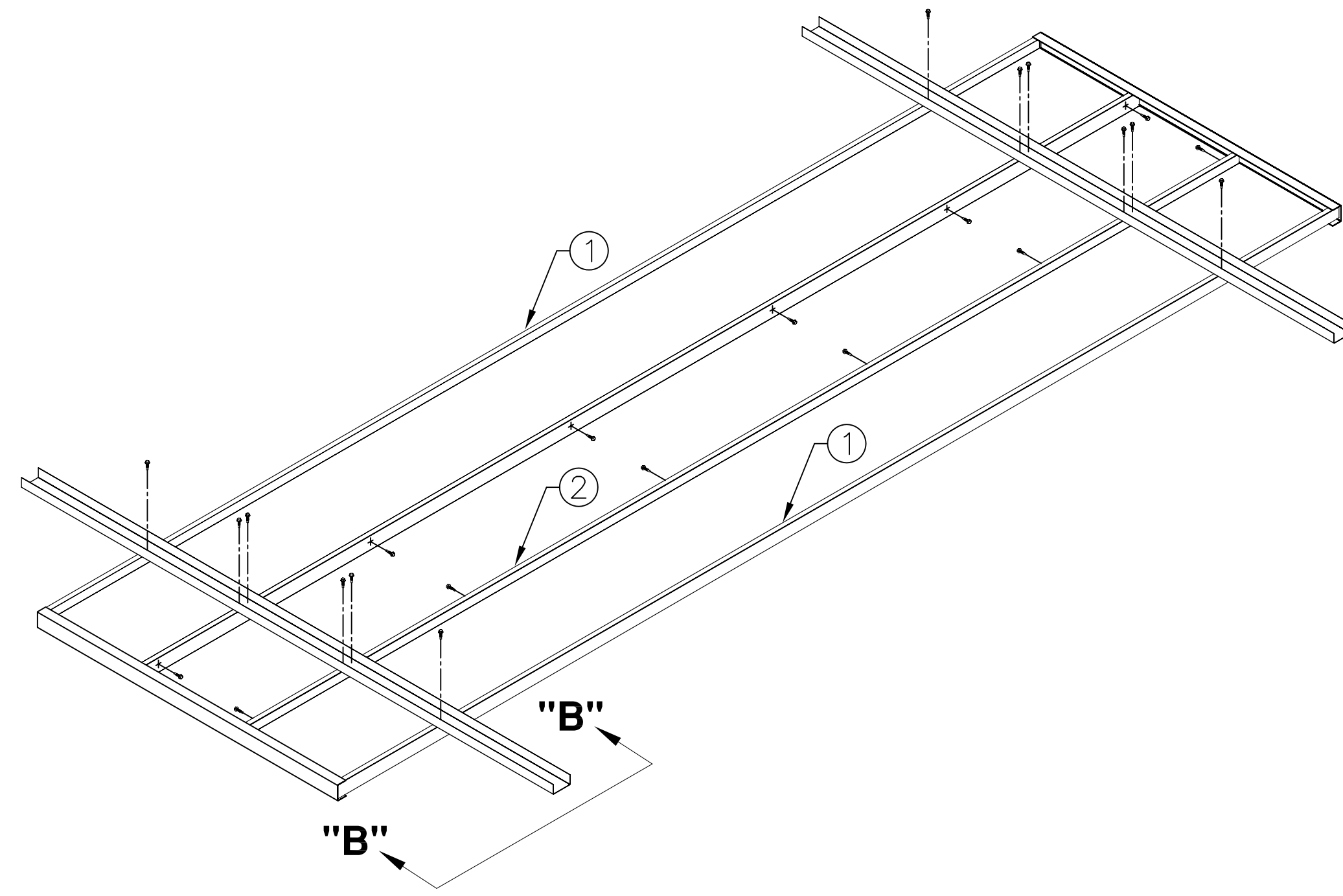


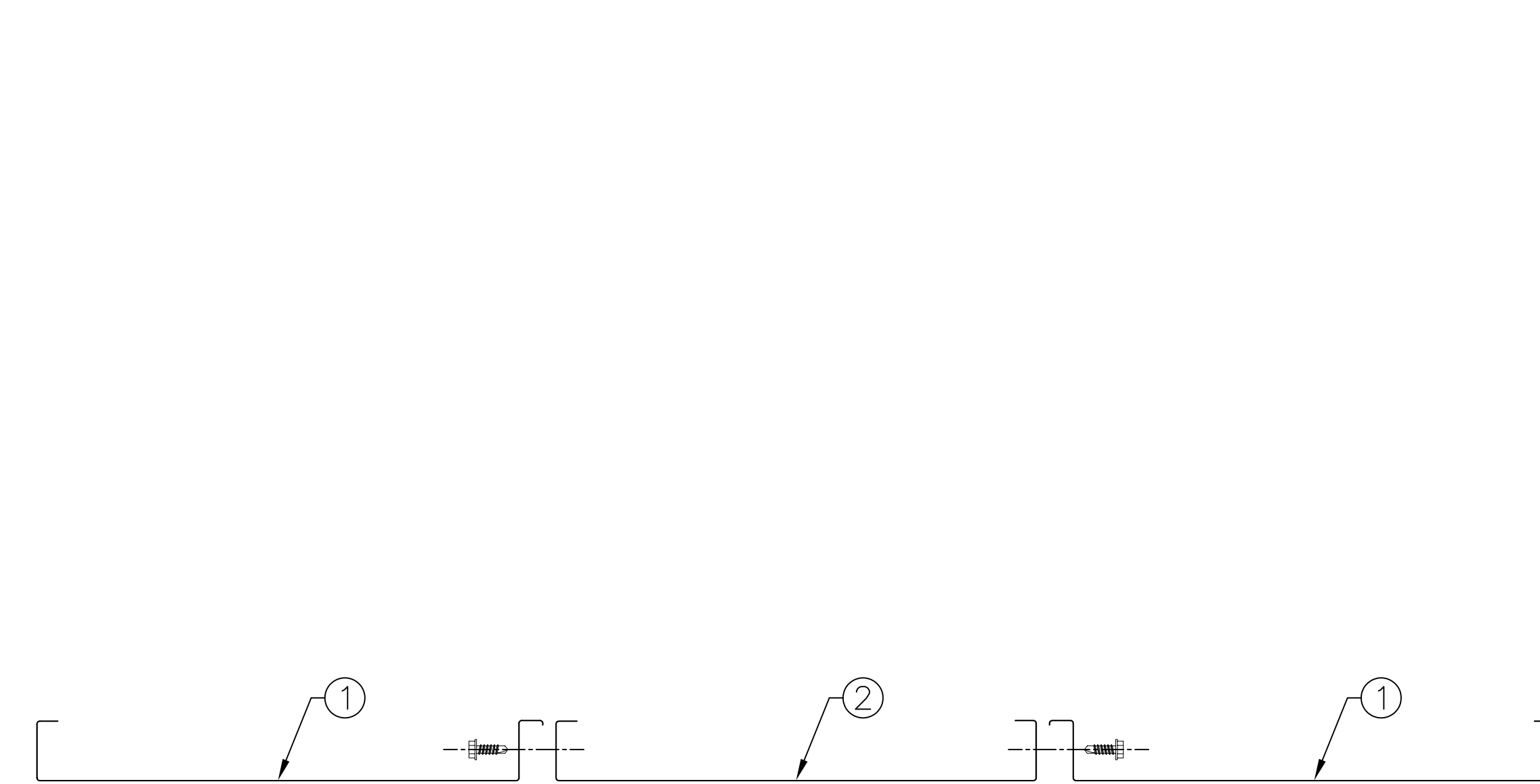
Revisions			
Rev.	Description	Date	APRVD.
0	Released for distribution.	1/22/04	M.H.
1	ADDED END OF SOFFIT VIEW "AA".	2/5/04	B.B.

NOTES:

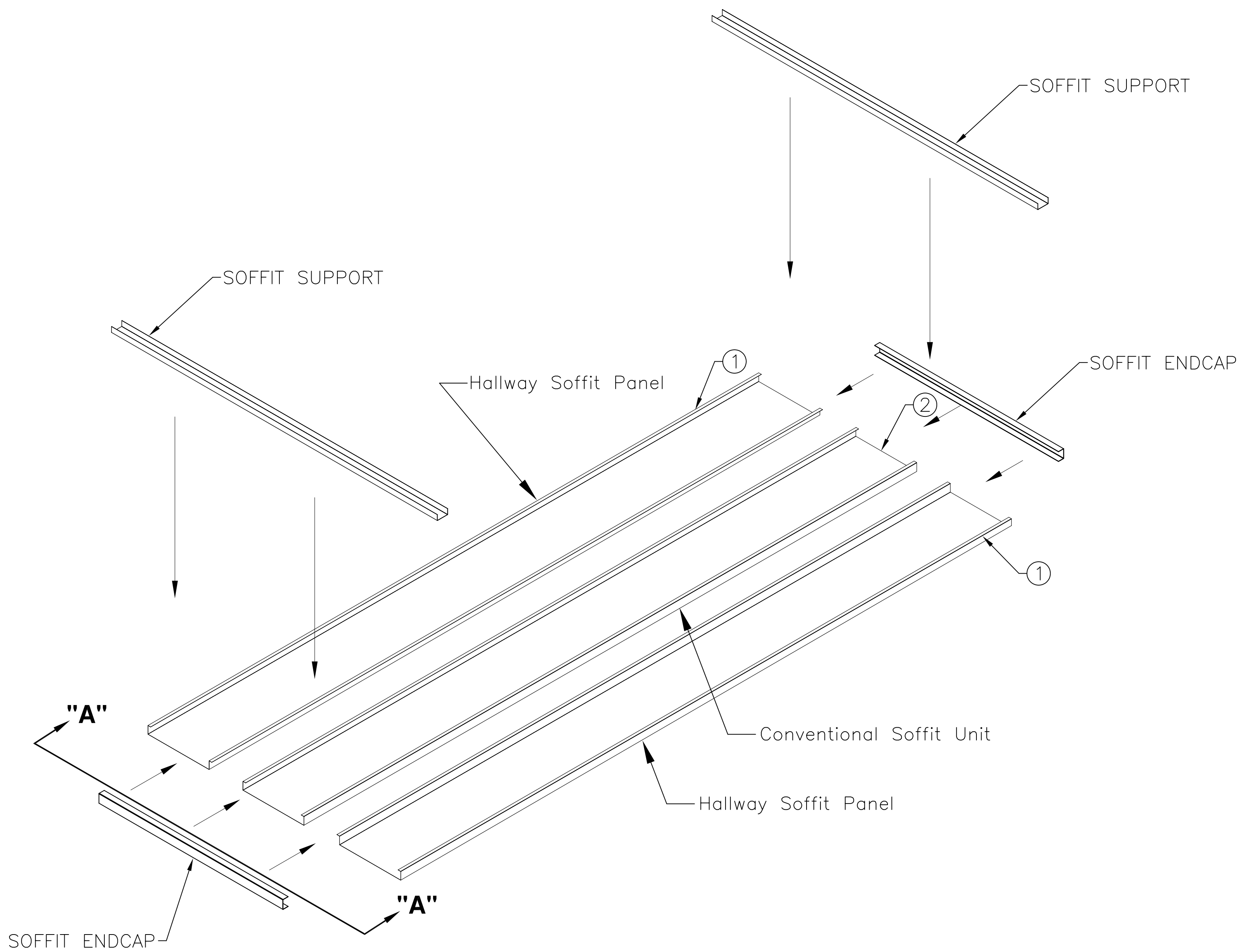
1) THE HALLWAY SOFFIT ACCESSORY WEIGHT, INCLUDING THE LIGHT FIXTURE, MUST NOT EXCEED 22lbs. PER 10' SOFFIT SECTION.



VIEW "BB"
SCALE: NONE



VIEW "AA"
SCALE: NONE



Hallway Soffit Assembly

<p align="center">JANUS INTERNATIONAL CORPORATION 134 East Luke Road Temple, Georgia 30179-4435 Phone (770) 562-2580 Fax (770) 562-2264 Web Address: WWW.JANUSINTL.COM © 2002 Janus International Corporation All Rights Reserved</p>				
<p>TITLE: Conventional Soffit Mounting Assembly Illustration</p>				
DESIGNED:	Bert Brown	DATE:	JAN 22, 2004	
DRAWN:	Jeff Davis	DATE:	JAN 22, 2004	
CHECKED:	Morgan Hodges	DATE:	JAN 22, 2004	
APPROVED:	Bert Brown	DATE:	JAN 22, 2004	
SIZE:	A	DRAWING NUMBER:	-900-005-0009.04	
SCALE:	1:?	SHEET:	1	
		OF:	1	