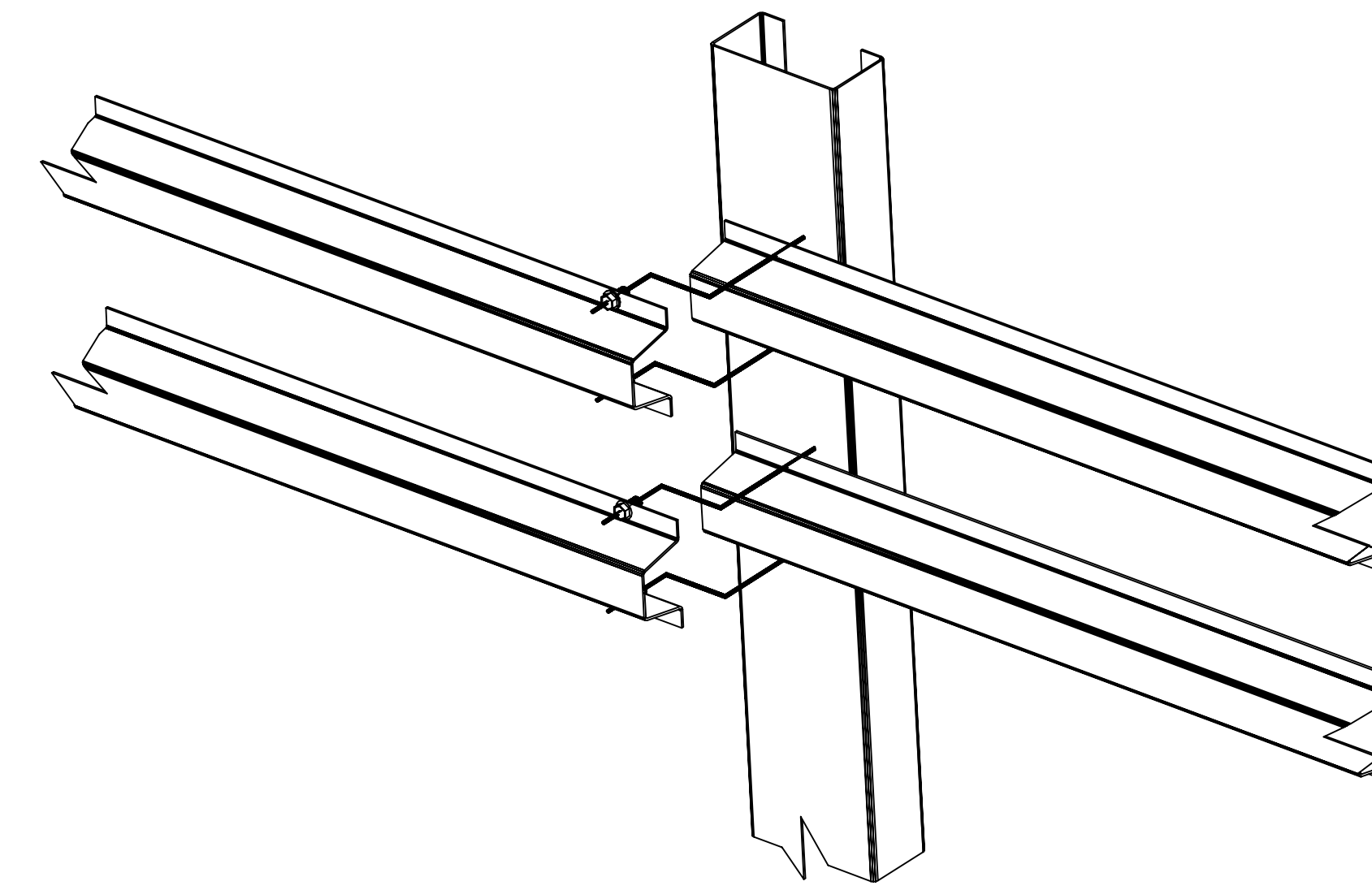
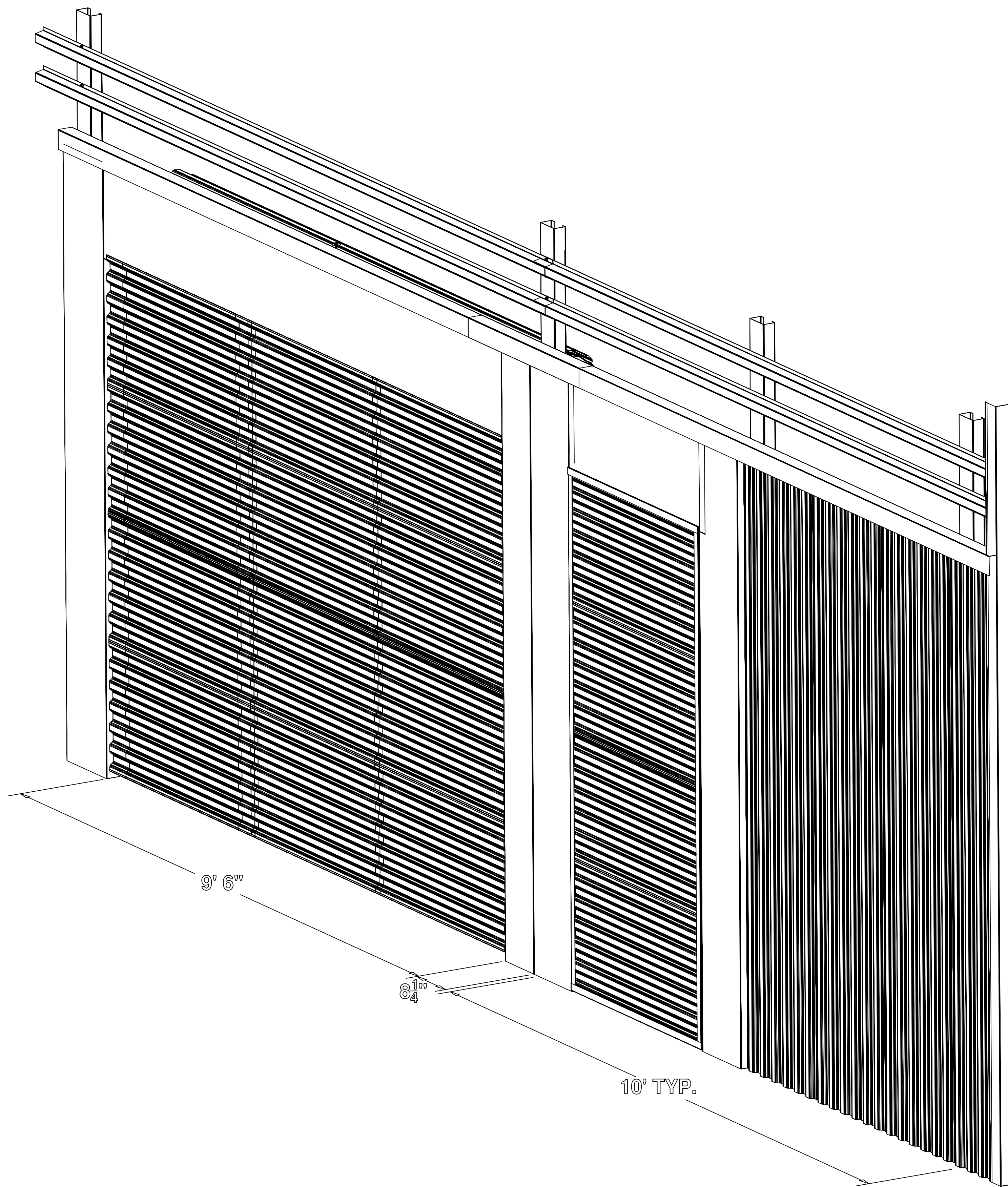


Revisions			
Rev.	Description	Date	APRVD.
0	Released for distribution.	1/08/04	B.B.



"BURGLAR BAR"
SCALE: NONE

"BURGLAR BAR" MOUNTING WITH EXISTING
"RED IRON" PLACEMENTS ILLUSTRATION

JANUS INTERNATIONAL CORPORATION 134 East Lake Road Temple, Georgia 30178-4435 Phone (770) 562-2580 Fax (770) 562-2264 Web Address: WWW.JANUSINTL.COM © 2002 Janus International Corporation All Rights Reserved			
TITLE: "BURGLAR BAR" PLACEMENTS WITH EXISTING "RED IRON" PLACEMENTS ILLUSTRATION			
DESIGNED:	Bert Brown	DATE:	Jan 8, 2004
DRAWN:	Jeff Davis	DATE:	Jan 8, 2004
CHECKED:	Morgan Hodges	DATE:	Jan 8, 2004
APPROVED:	Bert Brown	DATE:	Jan 8, 2004
SIZE:	D	DRAWING NUMBER:	-900-005-0003
		REV:	0
SCALE:	1:10	SHEET:	1 OF 1