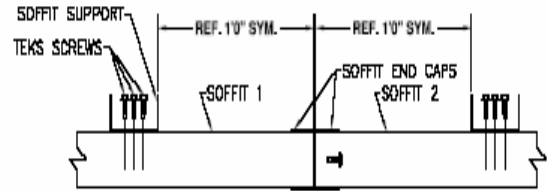
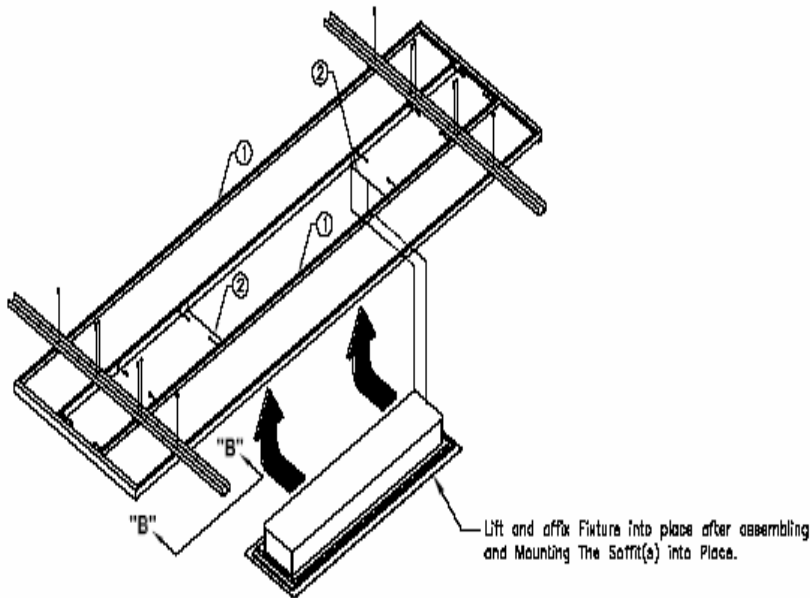
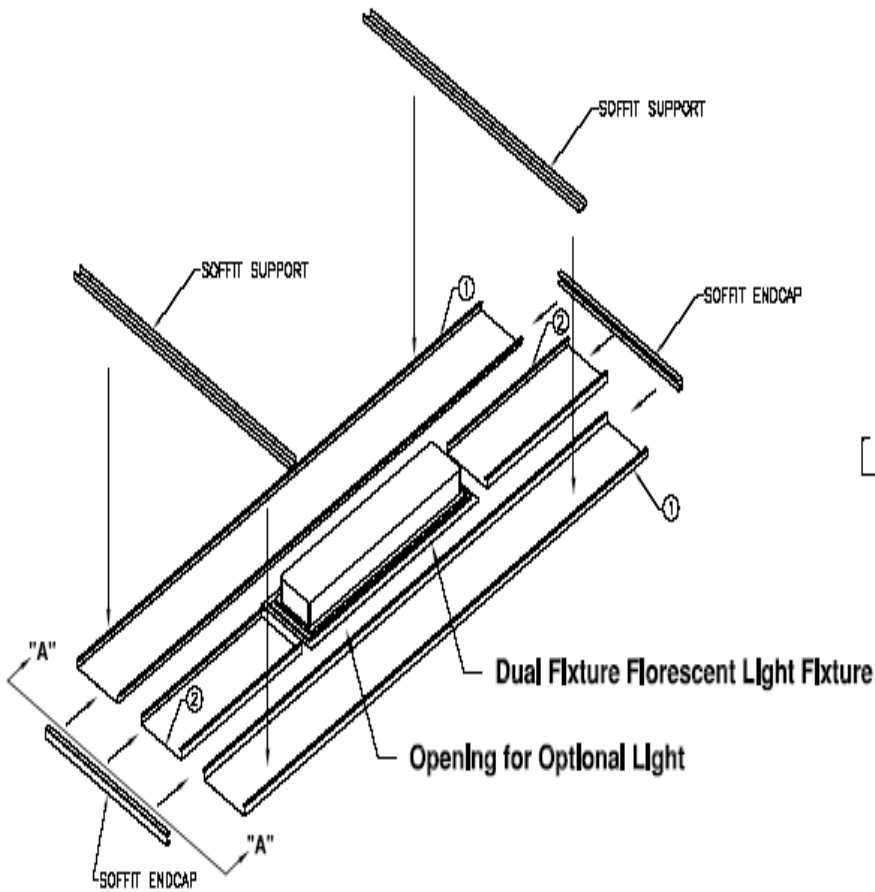


**NOTES:**

- 1) THE HALLWAY SOFFIT ACCESSORY WEIGHT, INCLUDING THE LIGHT FIXTURE, MUST NOT EXCEED 22lbs. PER 10' SOFFIT SECTION.

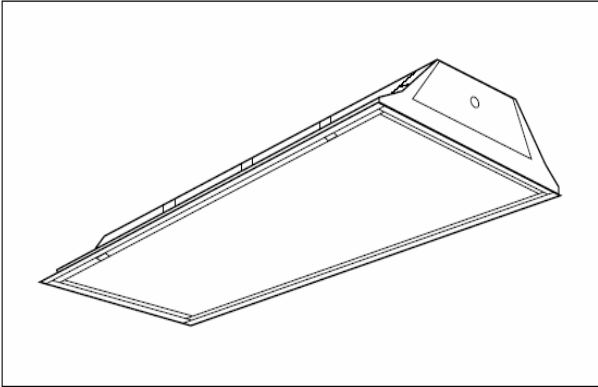


**VIEW "BB"**  
SCALE: NONE

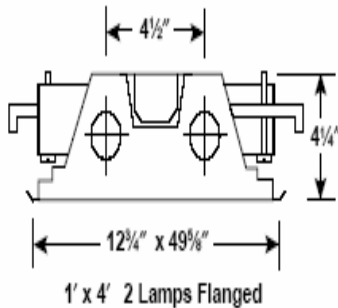


**VIEW "AA"**  
SCALE: NONE

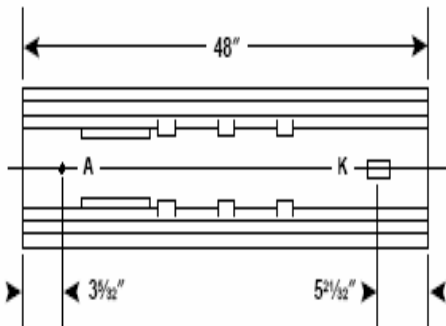
## Light Soffit Assembly



**Cross Section**



**Flanged cut out dimensions  
for single unit only:  
12" x 48 7/8"**



A - 7/8" Diameter Knockout

K - 2" x 3" through hole for access plate.

NOTE: All dimensions are in inches; dimensions and specifications are subject to change without notice. Please consult factory or check sample for verification.

Janus soffits offer a bright and safe atmosphere for the owner and tenants, as well as provide a professional, finished look to the ceiling. Features:

- 3'0" wide soffit allows for complete circulation throughout the entire facility.
- Conceals fixtures, such as HVAC ducts, electrical, plumbing and sprinkler systems.
- Supports standard hallway lighting for additional reflection and illumination.
- Full soffit available for areas where fixtures are concealed.
- Options for surface mounted lights or 1'x4' drop in

**Soffit Features:**

- Rotary action cam latches. Smooth operating for secure shielding retention.
- Corner hinging for easy insertion and removal of shielding frame.
- Flush steel shielding frame, screw assembled for easy diffuser replacement.
- Housing ends secured by unique corner interlock and screws.
- Metal-to-metal light leak protection on all four sides of shielding frame.
- Rotary lock lampholders for positive lap contact.
- Heat sink embossments behind ballasts for cooler operation, longer life.

**Flanged Features:**

- Four adjustable Uni-Lugs for quick and easy installation.
- Optional plaster frames available for individual or row mounting.
- Fixture end flanges are removable for row mounting. Joiner channels are included.

**Housing:**

Heavy gauge steel. Die formed for extra rigidity. Designed for installation in standard inverted tee grid ceilings. Integral tee bar clips are located in the end-cap of the housing.

**Ballasts:**

Energy efficient, thermally protected, automatic resetting, Class P, high power factor, CBM, sound rated A, unless other specified.

**Finish:**

All metal parts are processed with a 5 phase phosphate bonding treatment. Grid units are pre-painted with high glass baked white enamel, 86% reflective. Flanged units are painted after fabrication with a polyester powder coat, reflectance of 90%.

**Shielding:**

100% acrylic prismatic, extruded and roll-embossed, diagonally-oriented female prisms, unless otherwise specified.

**Labels:**

All fixtures carry the UL label. (CSA approval available. Use Suffix "CSA").

**Flanged Unit Installation:**

Fixtures are installed from below the ceiling and have overlapping trim flanges. Adjustable Uni-Lugs secure the fixture to the ceiling structure. Plaster frames are available if required.

**Environmental Laboratories**

Tel 509 834 7000  
PO Box 2767 (92020) 8808 North Sullivan Road Spokane WA 99216

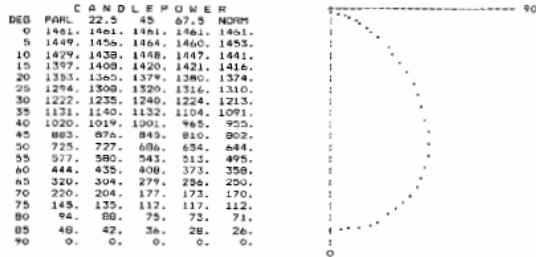
REPORT # 10711  
DATE: 3/14/94

PHOTOMETRIC REPORT PREPARED FOR: COLUMBIA LIGHTING

LUMINAIRE: J14-232G-RAA12-EB8

1 X 4 2-LAMP WITH A-12 PATTERN LENS AND REGRESSED DOOR  
BALL: B232120RH; LAMP: F032/741; BAL. FAC.: .95; WATTS: 58  
LAMPS TESTED AT 2000 LUMENS EACH  
LUMINOUS AREA: 45.3 X 9.5

REFLECTANCE: NA MOUNTING: RECESSED  
S/MH: PARL 1.25 NORM 1.25 SHIELDING: PARL 90 NORM 90  
PLOT OF NORMAL PLANE



**ZONAL SUMMARY**

ZONE	LUMENS	LAMP	FIXT.
0-30	1141.	20.0	33.2
0-60	1840.	32.2	53.5
0-90	2976.	52.2	86.6
0-180	3438.	60.3	100.0
90-180	0.	0.0	0.0
0-180	3438.	60.3	100.0

This photometric test was performed using a specific ballast / lamp combination. Extrapolation of these data for other ballast / lamp combinations may produce erroneous results. The ballast factor must be applied to the lumen output rating assigned to the lamp(s) or to the candlepower values shown.

TESTED BY: *TR* APPROVED BY: *[Signature]*  
TEST RUN IN ACCORDANCE TO CURRENT I.E.S. PUBLISHED PROCEDURES

**J14-232G-RAA12-EB8**

Report No: 10711 Efficiency: 60.3 S/MH: Parl 1.25 Norm 1.23

**Coefficients of Utilization**

Zonal Cavity Method Floor Reflectance - .20

RC	80				70				50			0
	70	50	30	10	70	50	30	10	50	30	10	0
1	67	64	62	60	65	63	61	59	60	59	57	54
2	62	58	54	51	60	56	53	51	54	52	49	47
3	57	52	47	44	56	51	47	44	49	46	43	41
4	53	46	42	38	51	46	41	38	44	40	37	36
5	49	42	37	33	47	41	36	33	40	36	33	31
6	45	38	33	29	44	37	32	29	36	32	29	27
7	42	34	29	25	41	33	29	25	33	28	25	24
8	38	31	26	22	37	30	25	22	29	25	22	21
9	35	27	23	19	34	27	22	19	26	22	19	18
10	33	25	20	17	32	25	20	17	24	20	17	16

**Zonal Summary**

Zone	Lumens	Lamp	Fixt.
0-30	1141.	20.0	33.2
0-40	1840.	32.2	53.5
0-60	2976.	52.2	86.6
0-90	3438.	60.3	100.0
90-180	0.	0.0	0.0
0-180	3438.	60.3	100.0

**Energy Data**

LER: 56 Energy Cost: \$4.29\*  
Input Watts: 58 BF: .95

The above energy calculations were conducted using a specific lamp/ ballast combination. Actual results may vary depending upon the lamp and ballast used. Lamp and ballast specifications are subject to change without notice.

\*Comparative annual lighting energy cost per 1000 lumens based on 3000 hours and \$0.08 per KWH.

**Ordering Information**

Example: J14-232G-FSA12-EB8LH120-FO730-C388

J 14 - 2 32 F - FS A12 - EB8 120 -

<p><b>Series</b></p> <p><b>Fixture Size</b> 14 - 1' x 4'</p> <p><b>No. of Lamps</b> 2 - Two</p> <p><b>Lamp Type</b> 40 - 40 Watt, T12 32 - 32 Watt, T8</p> <p><b>Ceiling Type</b> G - Inverted T-Bar F - Overlap Flange</p> <p><b>Door Style</b> FS - White Flush Steel (Standard) PS - Premium Steel TPFS - Tamper Resistant Flush Steel FA - White Flush Aluminum RA - White Regressed Aluminum BFA - Black Painted Flush Aluminum BRA - Black Painted Regressed Aluminum SFA - Silver Painted Flush Aluminum SRA - Silver Painted Regressed Aluminum</p>	<p><b>Voltage</b> 120 - 120V 277 - 277V 347 - 347V UNV - 120V/277V (T8 w/LH only)</p> <p><b>Ballast</b> LE - Energy Saving Magnetic T12 EB8 - Electronic T8 EB8LH - Electronic T8 &lt;10% THD For a specific ballast vendor, show as option</p> <p><b>Shielding</b> A12 - Pattern 12 Acrylic .100" Nominal (Standard) A12.125 - Pattern 12 Acrylic .125" Nominal A12.125M - Pattern 12 Acrylic .125" Minimum A19 - Pattern 19 Acrylic .156" Male Prism IMA - .150 Injection Molded Acrylic .156" Male Prism DOP - White Dished Acrylic PC1 - Silver Parabolic Louver 1/2" x 1/2" x 1/2" PC2 - Silver Parabolic Louver 1 1/2" x 1 1/2" x 1"</p>	<p><b>Options</b> SLL - Spring Loaded Latches GMF - Slow Blow Fuse GLR - Fast Blow Fuse C388 - 3/8" Flex with 3 No. 18 Wires C384 - 3/8" Flex with 3 No. 14 Wires C488 - 3/8" Flex with 4 No. 18 Wires C424 - 1/2" Flex with 4 No. 14 Wires FCWES - T12 Cool White Energy Saving Lamps Furn/Inst. FWWES - T12 Warm/White Energy Saving Lamps Furn/Inst. FO730 - T8, 70CRI, 3000K Lamps, Furn/Inst. FO735 - T8, 70CRI, 3500K Lamps, Furn/Inst. FO741 - T8, 70CRI, 4100K Lamps, Furn/Inst. CSA - Approved for Canadian Standards Association EL - Emergency Battery Pack PAF - Painted After Fabrication For a complete set of options, see options and accessories section. H - Undamped Heat Extract</p>
---	--	--

For more shielding see options and accessories section.